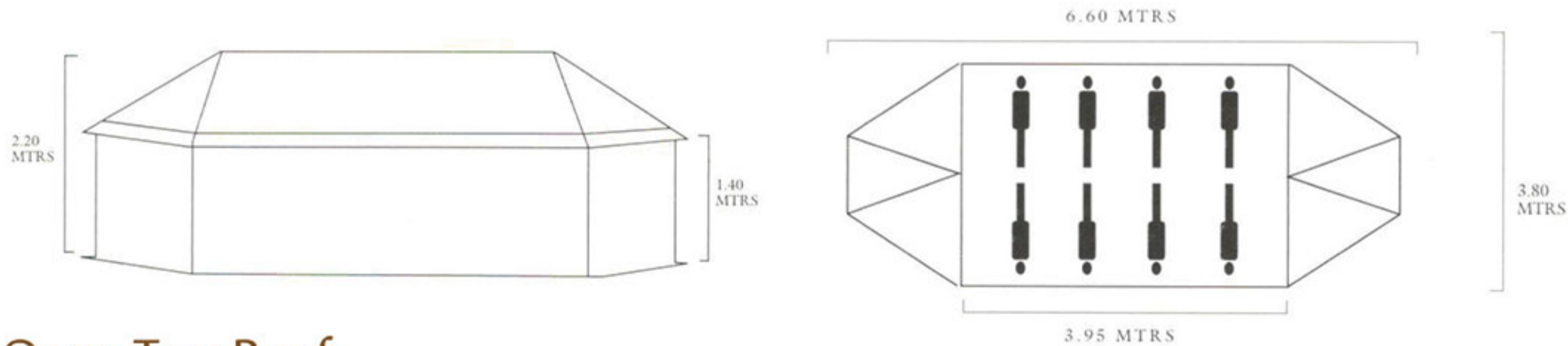




Family Tent (Fire Retardant) (UNHCR/IFRC/ICRC Type)

Basic Specifications

Length x Width – Outer Tent	: 6.60 x 4.00 Meters
Length x Width – Inner Tent	: 3.95 x 3.80 Meters
Central Height – Outer Tent	: 2.20 Meters
Central Height – Inner Tent	: 2.10 Meters
Wall Height – Outer Tent	: 1.25 Meters
Wall Height – Inner Tent	: 1.15 Meters
Entrance Height	: 1.40 Meters
No of Vestibules	: 02 Front & Rear



Outer Tent Roof:

Made of single layer of Poly cotton, Water, rot proof and UV treated canvas quality 380 +/- 10% Grams m2.

Outer Tent Sidewall:

Made of single layer of Poly cotton, Water, rot proof and UV treated canvas quality 250 +/- 10% Grams m2.

Inner Tent:

Made of single layer of poly cotton, rot proof and UV treated Canvas, Quality 160 grams m2.

Packing:

Each complete tent in PE bag.

