






FRAME TENT (AFAD STANDARD)



CONTAINER LOADABILITY

Palletized
(20 Pieces per Pallet)
20FT: 2 Pallets/40 Tents
40DC: 5 Pallets/100 Tents

 82 Kg Tent Packed Weight (±5%)	 0.48m³ Tent Packed Volume (±5%)	 2.10 x 0.45 x 0.5 m Packed Dimensions (±5%)
--	--	---

FRAME TENT AFAD STANDARD

Dimensions	Outer	Inner
Total Living Area	16 m ²	
Length	4.10 m	2.75 m
Width	4.05 m	3.85 m
Central Height	2.55 m	2.35 m
Wall Height	1.93 m	1.73 m
Door Height	2.00 m	1.80 m
Windows	3	
Doors	2	

Poles and Accessories

Frame	42 mm
Poles	12 made of Aluminium
Sockets	9 made of Steel
T Pegs	10 made of Steel
Nail Pegs	6 made of Steel
Hammer	1 made of Iron

MATERIAL DETAILS - FR

OUTER TENT

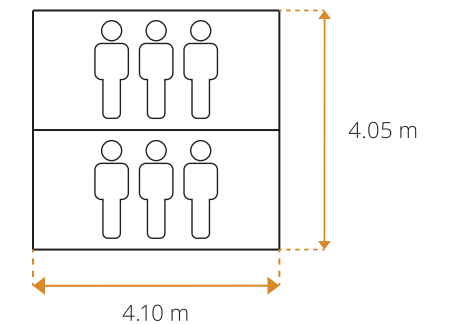
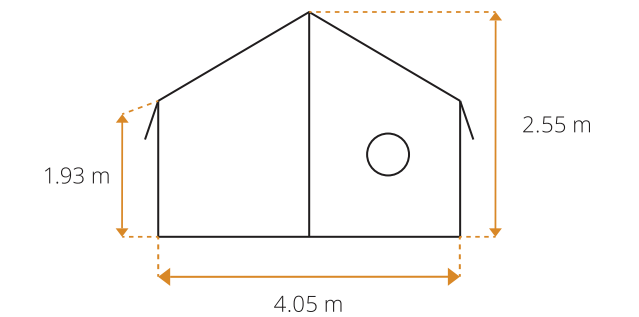
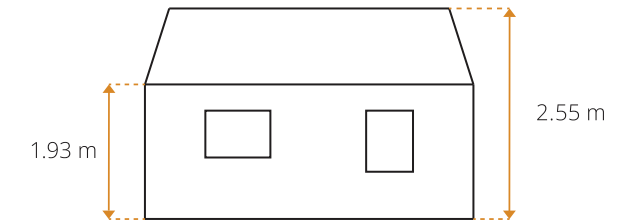
ROOF	
Composition	PVC Sheet
Weight	450 gsm (±10%)
Color	Grey

SIDEWALL	
Composition	100% Cotton - Fire Retardant, Water, UV and Rot Proof
Weight	530 gsm (±10%)
Color	Natural color

INNER TENT	
Composition	Made of 100% Polyester Felt
Weight	350 gsm
Color	Natural color

GROUND SHEET	
Composition	Made of Felt and PVC
Weight	450 gsm (±10%) Stitched in Bath Tub Style
Color	Grey color

PACKING Each complete Tent packed with poles and accessories in a PVC bag



SUITABLE FOR A FAMILY OF 6

