

DISPENSARY TENT

DISPENSARY TENT ICRC STANDARD (27.5M²)

Dimensions

Total Living Area	27.5 m ²
Length	5.5 m
Width	5.0 m
Ridge Height	2.5 m
Wall Height	1.8 m
Total Doors	2
Triangular Windows	4 (0.4 x 0.4 m)

MATERIAL DETAILS

OUTER TENT 440 gsm single layer Polycotton- Water, Rot and UV resistant
Roof, Wall, Door

WINDOW 4 triangular windows with mosquito nets

FRAME AND ACCESSORIES

Frame Aluminium Frame with 40 mm Diameter and 2 mm Thickness

Standing Poles 8, 175 cm with base plate

Ridge Beam Poles 8, 145 cm

Ridge Poles 9, 171 cm

Connectors 12

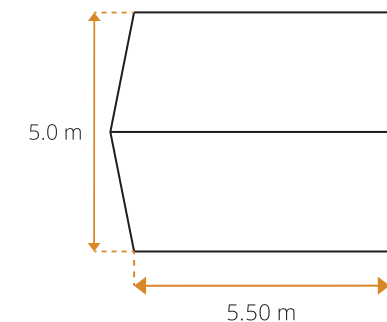
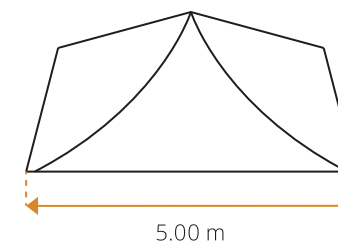
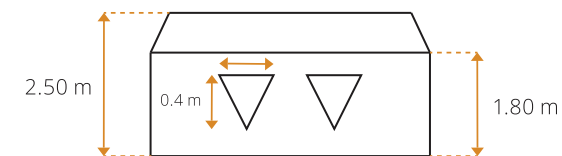
Pegs 10

Pins 20

Hammer 1

ADDONS (Optional) Fire Retardancy
Bath tube style ground sheet
Shade Net

PACKING Tent and pipe set are packed in a single bag while socket packed in wooden box



SUITABLE FOR 8-20 PEOPLE

FEATURES

- Can be used for Schooling, Office, Clinic, Healthcare and Temporary Shelter
- Requires 4 persons to setup and can easily setup in 30 minutes
- Designed to tolerate high wind pressure, heavy rainfall and provide protection against micro-organisms



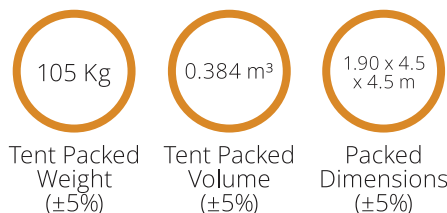
CONTAINER LOADABILITY

Non-Palletized

20FT: 35 Tents

40DC: 70 Tents

40FT HC: 90 Tents



*OPTIONAL

