

# DOUBLE FLY SINGLE FOLD FOLD FAMILY RIDGE



## DOUBLE FLY SINGLE FOLD FAMILY RIDGE TENT

### Dimensions

Total Living Area	16 m <sup>2</sup> or 12 m <sup>2</sup>
Length	4.0 m
Width	4.0 m
Length (Optional)	4.0 m
Width (Optional)	3.0 m
Central Height	2.15 m
Wall Height	1.0 m
Window	2 (0.6 x 0.4 m)
Door	2

### Poles and Accessories

Ridge Poles	1
Standing Poles	2
Sidewall Poles	12
Pegs	12
Pins	12
Hammer	1

### MATERIAL DETAILS

#### OUTER TENT

**Composition** 100% Cotton or Poly-Cotton - Water, UV and Rot proof  
**Weight** 300, 400, 450 gsm  
 \*Can be customized as per client requirement

#### INNER TENT

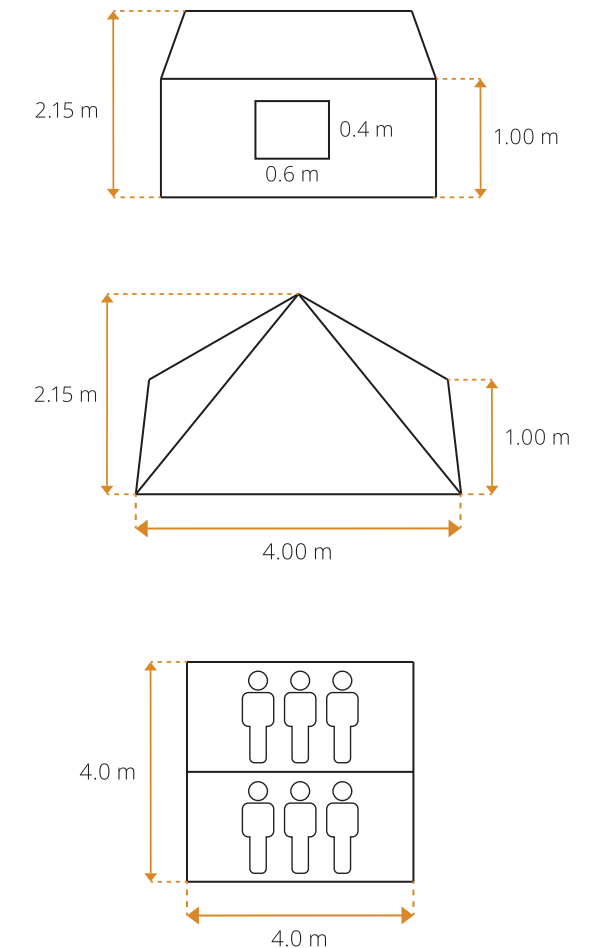
**Composition** 100% Cotton or Poly Cotton- Water, UV and Rot Proof  
**Weight** 300, 400, 450 gsm  
 Can be customized as per client requirements

#### ADDONS

- Ground sheet
- Mudflap
- Fly Sheet

#### PACKING

Each complete in a canvas bag



SUITABLE FOR A FAMILY OF 6

### FEATURES

- Easy to assemble
- Requires only 3 people to setup
- 2 Layers can provide privacy and ventilation for the families at the same time

### CONTAINER LOADABILITY

Non-Palletized  
 20FT: 200 Tents  
 40DC: 400 Tents  
 40FT HC: 420 Tents

45 Kg

Tent Packed Weight  
(±5%)

0.19m<sup>3</sup>

Tent Packed Volume  
(±5%)

2.15 x 0.28  
x 0.28 m

Packed Dimensions  
(±5%)

