



HIGH PERFORMANCE TENT (UNICEF STANDARD)

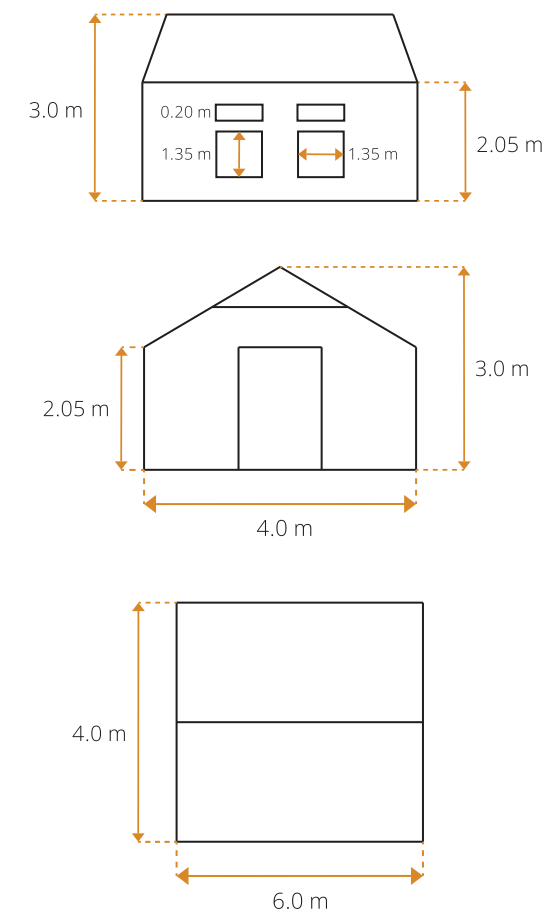


HIGH PERFORMANCE TENT

UNICEF STANDARD | 24M² | ALSO AVAILABLE IN 48M² AND 72 M²

Dimensions

Total Living Area	24 m ²
Length	6.0
Width	4.0
Center Height	3.00 m
Side Wall Height	2.05 m
Door Height	2.05 m
Window	2 (1.35 x 1.35 m)
Ventilation	6 (1.35 x 0.20 m)



MATERIAL DETAILS - STANDARD LINER - FR

OUTER TENT & MUDFLAPS

Composition 250 g/m² (±10%) HDPE/LDPE laminated woven fabric, waterproof 5000 mm, UV resistant, fire retardant CPAI84-6 - Washable/disinfectable

GROUND SHEET

Composition 190 g/m² (±10%) HDPE/LDPE laminated woven fabric, waterproof 5000 mm, fire retardant CPAI 84-5, rot-proof and durable

SHADE NET

Composition 190 g/m² (±10%) HDPE knitted mesh, UV-resistant, rot-proof, fire retardant CPAI84-6. 6x guy rope PP 4.5 m/10 mm Ø with reflective stripes and 'glow-in-the-dark' PE tension

FRAME AND ACCESSORIES

Pipes Made of Aluminum
Connectors Made of Steel

ADDONS (Optional)

Solar Lighting Kit
Inner Liner
Winter Liner
Partitioning Kit

PACKING

Each tent is packed in two wooden boxes strapped together

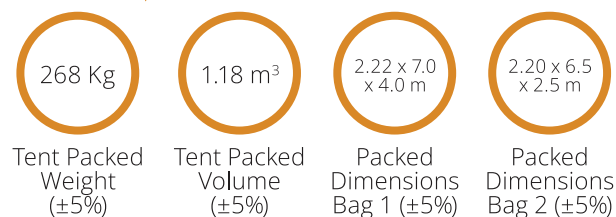
FEATURES

- Available in 3 different sizes- 24m², 48m² and 72m²
- Comfortable shelter for education, medical, storage, office use or accommodation
- Does not absorb moisture below zero degree temperature and does not 'heat up' in direct sunlight
- Vertical walls increase use of inner space
- Cost efficient, lightweight and compact packing
- Rot and mildew proof, easy to clean and disinfect, resistant to commonly used disinfectants and detergents
- Advanced ventilation and large windows
- Has replaceable logo windows and cable connectors for power supply

CONTAINER LOADABILITY

Caged Packing
(3 Tents per Cage)
20FT: 36 Tents
40DC: 78 Tents
40FT HC: 78 Tents

5-YEARS SHELF LIFE DRY, CLEAN & VENTILATED WAREHOUSE



Can stand the pressure of 120 Km/h wind

