

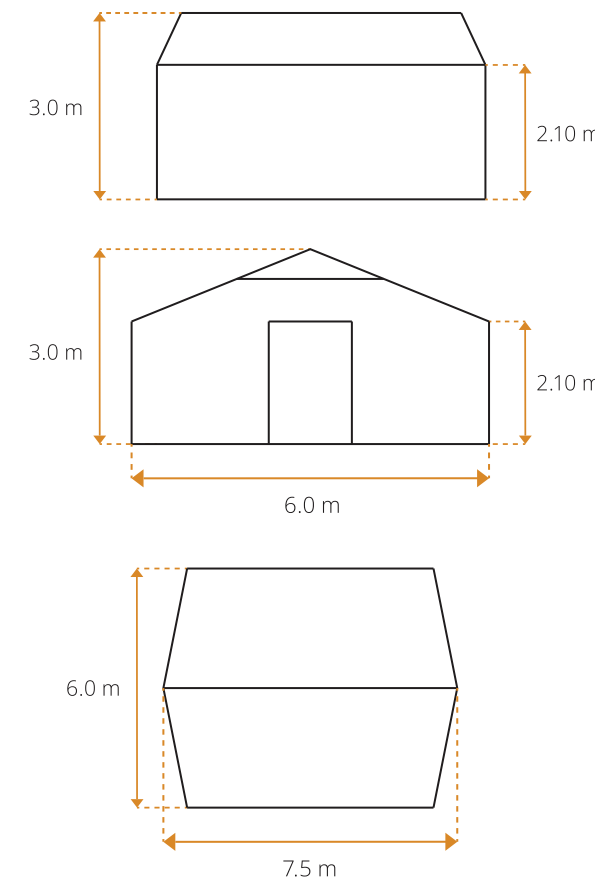
MULTIPURPOSE TENT - HEAVY DUTY



MULTIPURPOSE TENT - HEAVY DUTY MSF/ICRC/IFRC/IOM STANDARD

Dimensions	Outer	Inner
Length	7.5 m	7.10 m
Width	6.0 m	5.80 m
Ridge Height	3.0 m	2.80 m
Side Wall Height	2.10 m	1.95 m
Total Living Area	45 m ²	
Total Doors	4	
Windows	4	

Ventilation: 3 high ventilation windows on each side, with sun-visors/shutters, grill, and mosquito netting. 1 high ventilation window on each gable with shutter, canopy/sun-visor, and mosquito netting



MATERIAL DETAILS

OUTER TENT 600 gsm (±10%) Polyester with PVC coating on both sides

INNER TENT Approx 120 gsm Poly-cotton - UV, Rot and Water Resistant

FRAMES & ACCESSORIES

Aluminium Pipes (40 x 2 mm) with same Steel connectors
Pegs 10 made of Steel
Pins 26 made of Steel
Hammer 1 made of Iron

ADDONS Approx. 540 gsm Groundsheet
 Approx. 140 gsm Shade net - UV treated
 Approx. 300 gsm Partition walls
 Approx. 130 gsm Inner linear with sewed in bath tube type Groundsheet is also available as an option

PACKING Packed in 2 PVC bundle joined together (Sandwich Packed)

FEATURES

- MSF/ICRC/IFCR/IOM Standard
- Available in 2 different sizes- 33m², 45m²
- Ridge frame tent with sloped sides
- Can be used for Schooling, Office, Clinic, Healthcare and Temporary Shelter
- Multiple options available for inner tent, shade net, partition sets and Groundsheet which can be customized as per the use of tents and climate needs
- Can be joined together for a longer structure

CONTAINER LOADABILITY

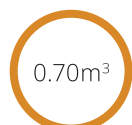
20FT: 36 Tents

40DC: 72 Tents

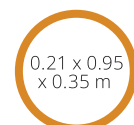
40FT HC: 72 Tents

*Caged and Pallet packing can be done as per client's request

5-YEARS SHELF LIFE DRY, CLEAN & VENTILATED WAREHOUSE



Tent Packed Volume (±5%)



Packed Dimensions (±5%)

*OPTIONAL

