



SLEEPING MAT



SLEEPING MAT

FEATURES

Waterproof, tear proof and material trim finish

Dimensions

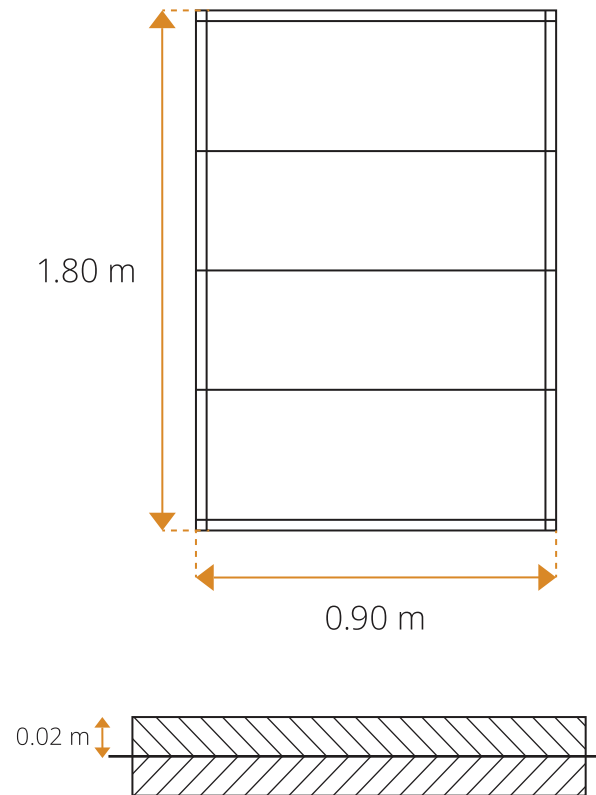
Length	1.80 m
Width	0.90 m
Weight	810 g, 500 gsm (±5%)

MATERIAL

COMPOSITION Made of 100% synthetic yarns (recycled raw material) Minimum 1000 tubes in weft per meter length

YARN Tightly woven 2/2 twill structure using a mono-lament or multi-lament warp and thick tape PP or polyester yarn in weft

COLOR Assorted



PACKAGING

Packed in Bales

1 Bale (25 Pieces)	21 kg	0.125 cbm	0.92 x 0.40 x 0.34 m
No. of Pieces	Weight (±5%)	Volume (±5%)	Dimensions (±5%)

CRI Pallets

6 Bales (150 Pieces)	134 kg	1.005 cbm	1.12 x 0.78 x 1.15 m
No. of Pieces	Weight (±5%)	Volume (±5%)	Dimensions (±5%)

Euro Pallets

6 Bales (150 Pieces)	137 kg	1.104 cbm	1.20 x 0.80 x 1.15 m
No. of Pieces	Weight (±5%)	Volume (±5%)	Dimensions (±5%)

CONTAINER LOADABILITY

Bale Packing

20FT: 216 Bales/5400 pcs
40DC: 468 Bales/11,700 pcs
40FT HC: 546 Bales/13,650 Pcs

CRI Pallets

20FT: 28 Pallets (4200 pcs)
40DC: 60 Pallets (9000 pcs)
40FT HC: 60 Pallets (9000 pcs)

Euro Pallets

20FT: 22 Pallets (3300 Pcs)
40DC: 48 Pallets (7200 Pcs)
40FT HC: 48 Pallets (7200 Pcs)

