



# BLUE BUCKET UNHCR STANDARD

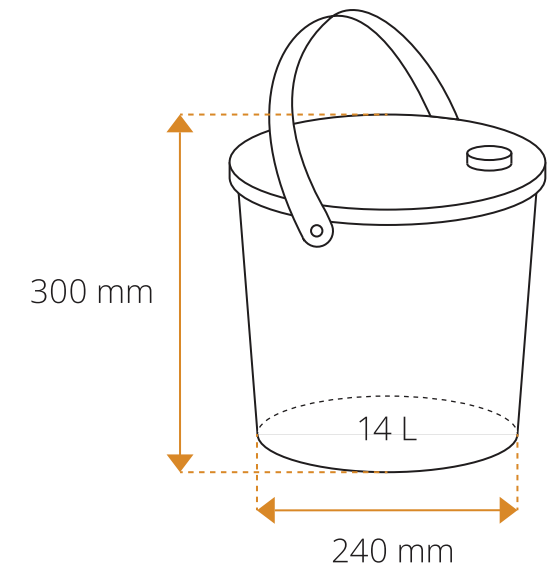


OPTIONAL

## BLUE BUCKET UNHCR/UNICEF STANDARD

### FEATURES

- Stackable and easy to carry
- Safe for transport and storage of drinking water
- The walls meet the bottom of the bucket with a curved inside surface to prevent dirt accumulation and facilitate cleaning
- Impact resistant on hard surface floor. The bucket resists at least to two (02) consecutive drops from 2 m high from the bucket's bottom, containing maximum volume of water (14 liters) at 20° C, without any damages
- The bucket gets back to its original shape (±10% to its original diameter after one hour) without damage after applying a pressure on the two sides of the top rim to make them touch one another in the middle
- The handle of the bucket also resists approx. 28kg traction in normal usage position



### Dimensions

Capacity	14 L
Height	300 mm (±5%)
Top Diameter	300 mm (±5%)
Bottom Diameter	240 mm (±5%)
Cover	Outlet of 50mm (±10%) & screw cap or clip on cap

### Weight

Bucket	600 g minimum
Cover	150 g minimum
Handle	30 g minimum

### MATERIAL

**CONTAINER COMPOSITION** Made of virgin or **recycled** HDPE high density polyethylene and virgin recycled LDPE low density polyethylene

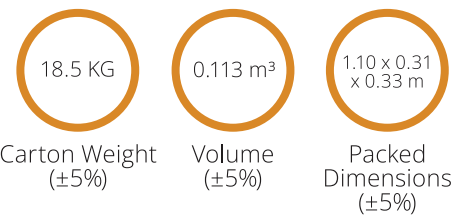
**COLOR** White Bucket

**COVER & HANDLE** Blue  
Other colours can be requested

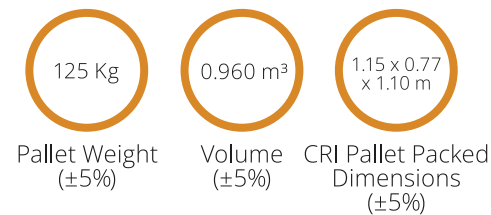
**TAP (OPTIONAL)** Durable plastic (HDPE) tap with turn knob, fixed to bucket through hole with locking nut

**LOGO** Can be embossed as per client's requirements

### Carton Packing



### CRI Pallet



### CONTAINER LOADABILITY

**Carton Packing**  
(20 Pcs per Carton)  
**20FT:** 245 Cartons (4900 Pcs)  
**40DC:** 504 Cartons (10,080 Pcs)  
**40FT HC:** 576 Cartons (11,520 Pcs)

**CRI Pallet**  
(6 Cartons/120 Pcs per Pallet)  
**20FT:** 28 Pallets (3,360 Pcs)  
**40DC:** 60 Pallets (7200 Pcs)  
**40FT HC:** 60 Pallets (7200 Pcs)

