

FAMILY ROUND TENT



FAMILY ROUND TENT

Dimensions

Size	4.0 m Diameter
Central Height	2.40 m
Sidewall Height	0.6 m
Doors	1
Window	2 (0.4 x 0.2 m)
Ventilation	2

Poles and Accessories

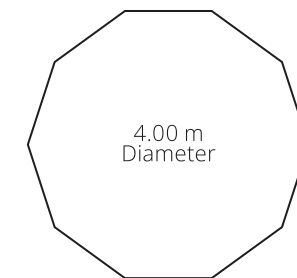
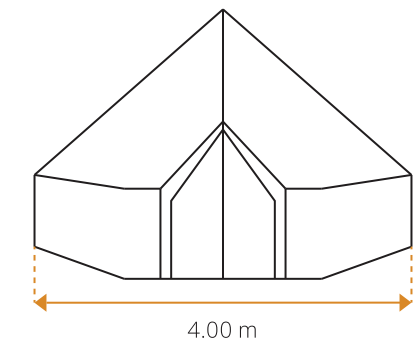
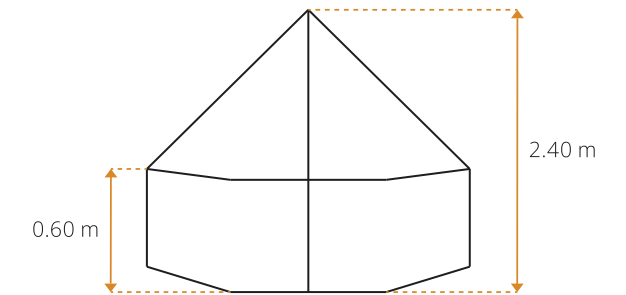
Poles	2
Pegs	10
Pins	12
Hammer	1

MATERIAL DETAILS

FABRIC	Made of single layer Poly cotton - Water and Rot proof
Colors:	Natural Colour or can be customized as per the requirements
Weight:	325 gsm
ADDONS (Optional)	Flysheet
PACKAGING	Each tent is packed in cartons or bundles

FEATURES

- Easy to assemble
- Requires only 4-5 people to setup



SUITABLE FOR A FAMILY OF 5

