

# SAFARI TENT



## SAFARI TENT

### Dimensions

Total Living Area	16 m <sup>2</sup>
Length	4.0 m
Width	4.0 m
Central Height	2.30 m
Wall Height	1.80 m
Door (W x H)	2 (1.0 x 1.6 m)
Windows	6
Ventilators	2

### Poles and Accessories

Frame	25 mm Steel
Poles	12 made of Aluminium
Sockets	9 made of Steel
Pins	14 made of Steel
Pegs	6 made of Steel
Hammer	1 made of Iron

### MATERIAL DETAILS

#### TENT FABRIC ROOF

**Composition** Poly cotton - Water, UV and Rot proof  
**Weight** 200 gsm (±10%)

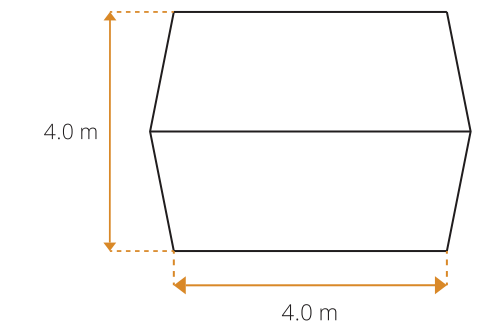
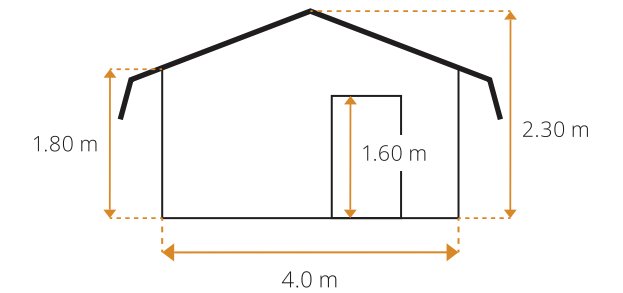
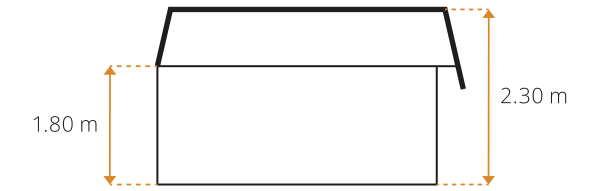
#### SIDEWALL

**Composition** Poly cotton - Water, UV and Rot proof  
**Weight** 200 gsm (±10%)

**Ground Sheet:** 190 gsm (±10%) stitched in bath tub style

**Fly Sheet:** 180 gsm (±5%) polyethylene (HDPE)

**PACKAGING** Each complete tent packed with poles and accessories in a wooden box



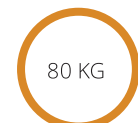
### CONTAINER LOADABILITY

#### Non-Palletized

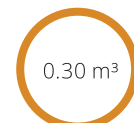
20FT: 80 Tents

40DC: 160 Tents

40FT HC: 190 Tents



Weight of Tent Bundle (±5%)



Volume (±5%)



Packed Dimensions (±5%)

#### \*OPTIONAL

